

# DOLAN FREESTANDING TUB FILLER

Cat. No.  
7922



W: 4-<sup>3</sup>/<sub>4</sub>"  
H: 46"

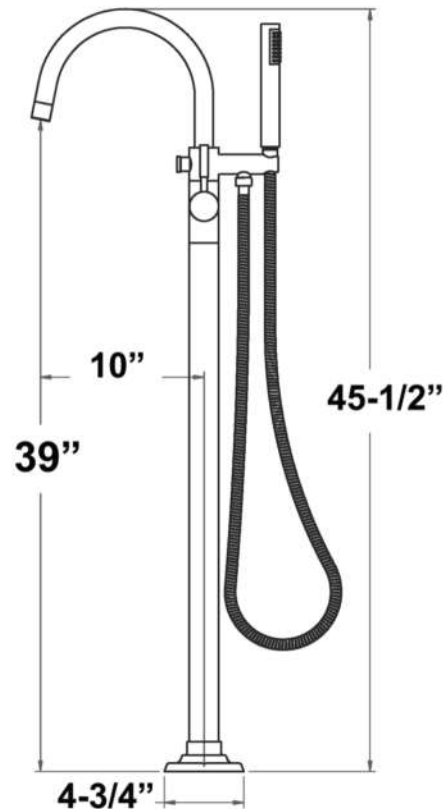
## **Features:**

- ▶ Solid brass construction
- ▶ Spout reach is 9-1/2"
- ▶ Rough-In Valve Included
- ▶ Gooseneck spout
- ▶ IAPMO certified
- ▶ 1/2" NPT connection under floor
- ▶ Ceramic disc cartridge
- ▶ Includes 60" hose
- ▶ Handshower is 7-1/4" long
- ▶ Flow rate 5.92 GPM @ 80 psi
- ▶ Flow rate handshower 1.6 GPM
- ▶ Mounting plate mounts to wood or tile floor



## **Finishes:**

- CP** Polished Chrome
- BN** Brushed Nickel
- ORB** Oil Rubbed Bronze
- MB** Matte Black



**Use on concrete floors requires special installation. We recommend using a plumbing professional.**

Dimensions are nominal and may vary. Dimensions and specifications subject to change without notice.